

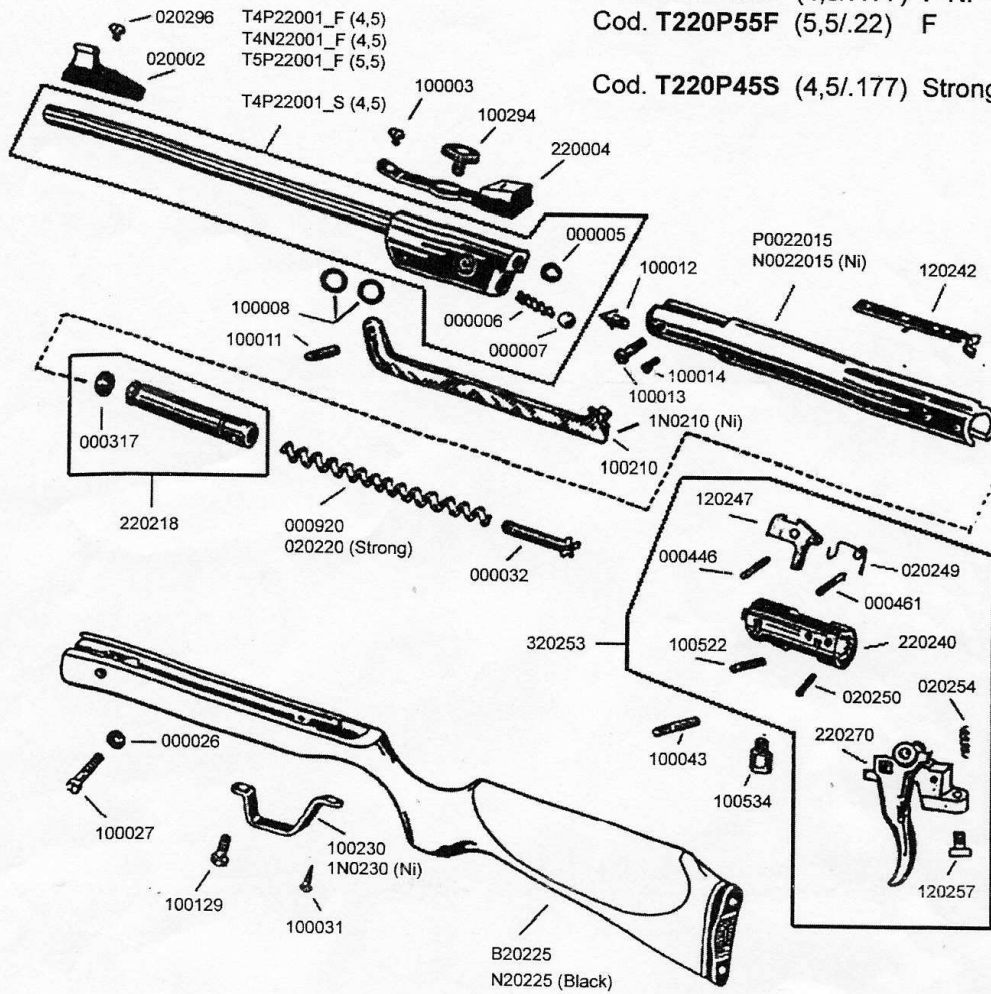
TELL-220

Cod. T220P45F (4,5/.177) F

Cod. T220N45F (4,5/.177) F-Ni

Cod. T220P55F (5,5/.22) F

Cod. T220P45S (4,5/.177) Strong



- 020002 Front sight LITE-OPTIC
- 020296 Front sight screw
- 220004 Rear sight LITE-OPTIC
- 100003 Rear sight fixation screw
- 100294 Rear sight screw, vertical
- 000005 O ring
- 000006 Compressor spring
- 000007 Compressor ball
- 100008 Lateral washer
- 100210 Lever
- 100011 Lever pin
- 100012 Cocking cam
- 100013 Hinge pin screw
- 100014 Set screw

- 120242 Safety
- 000317 Piston seal
- 220218 Piston
- 320253 Trigger assembly
- 220270 Trigger group
- 020254 Pression adjusting spring
- 120257 Pression adjusting screw
- 220240 Main spring support
- 000446 Hook pin
- 120247 Trigger hook
- 020249 Trigger hook spring
- 000461 Hook support hinge pin
- 020250 Sear pin 3x16
- 100522 Trigger pin 5x25
- 1N0210 Lever (Ni)
- 1N0230 Trigger guard (Ni)

- 100043 Support pin 5x30,5
- 100534 Main spring support screw
- 000026 Toothed washer
- 100027 Lateral screw
- 100129 Trigger guard front screw
- 100230 Trigger guard
- 100031 Trigger guard rear screw
- B20225 Butt stock
- N20225 Butt stock (Black)
- 000920 Main Spring
- 020220 Main Spring (Strong)
- 000032 Main spring guide
- P0022015 Tube
- N0022015 Tube (Ni)
- T4P22001_F Barrel (4,5)
- T4N22001_F Barrel (4,5) Ni
- T5P22001_F Barrel (5,5)
- T4P22001_S Barrel (4,5) Strong